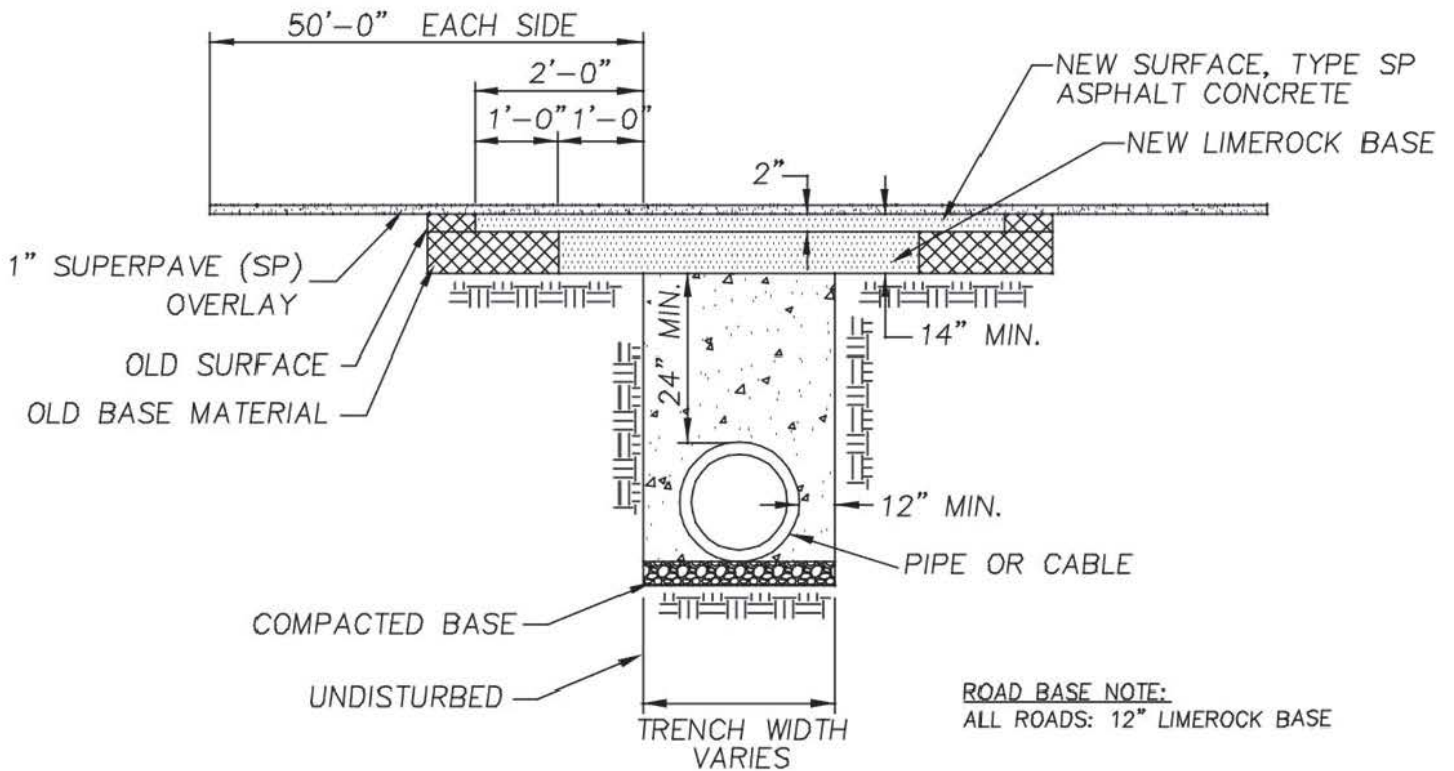


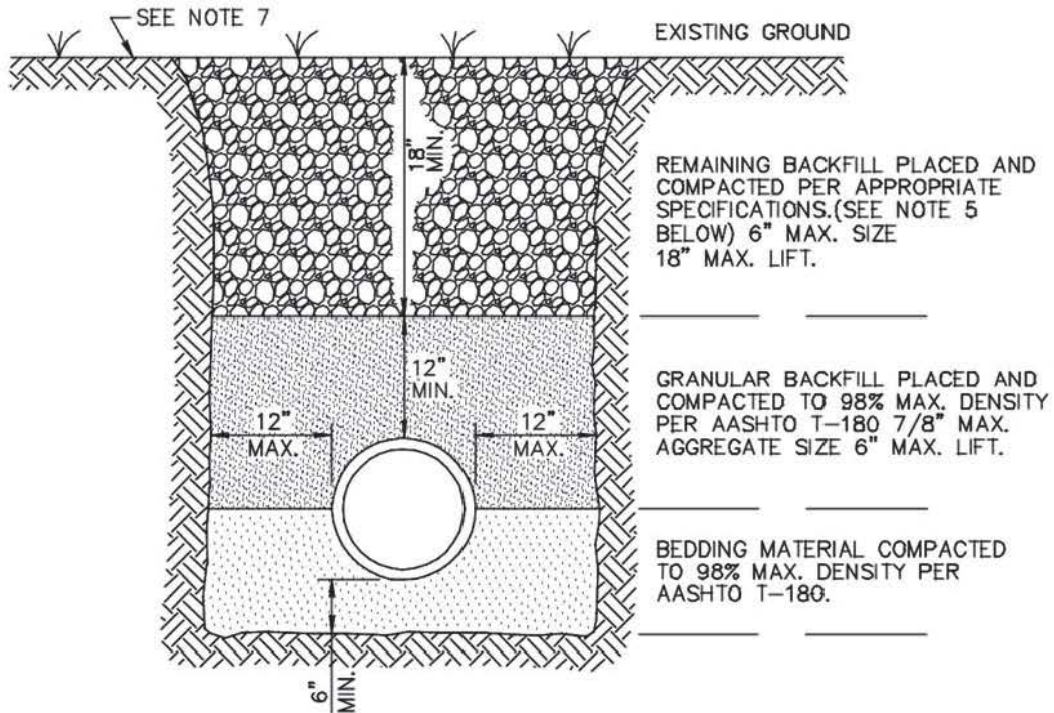
Sumter County Public Works Department
Right-Of-Way Utilization Permit



GENERAL NOTES:

1. Base replacement shall be 12" of limerock, placed in 2 lifts.
2. Minimum Asphaltic Concrete surface thickness is 2" of type SP over the cut area in one layer.
3. All surface joints shall be mechanically saw cut.
4. RC-70 or equivalent liquid asphalt shall be added to all surface joints to form seal.
5. Pavement restoration is typical for large diameter pipes.
6. Variances to these pavement restorations may be requested from the Director of Public Works, and approved on a case by case basis.

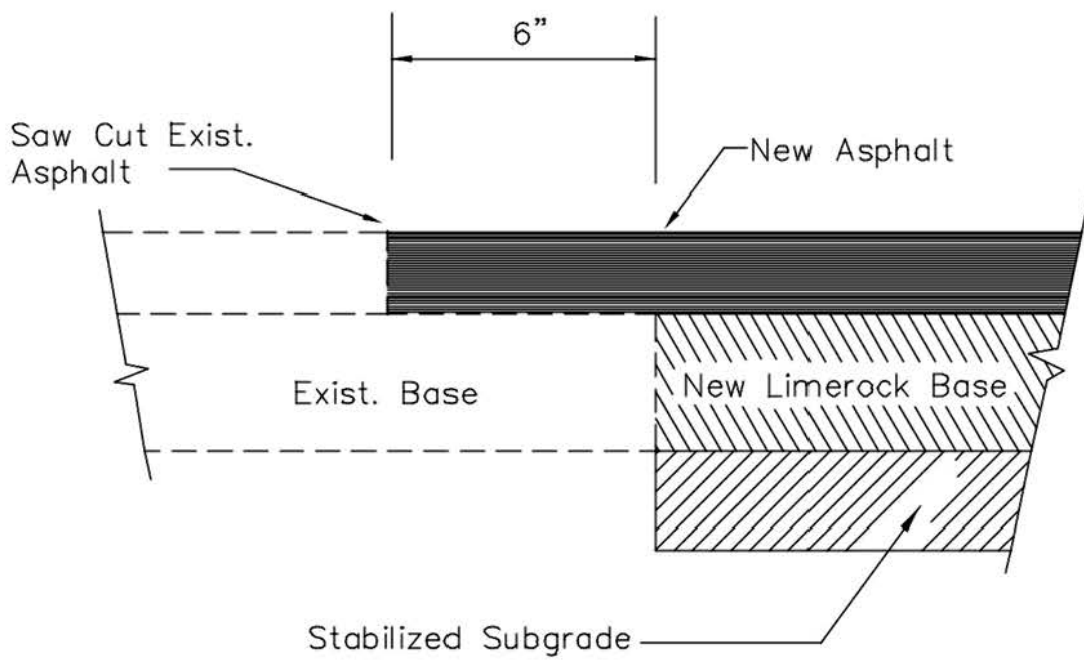
Sumter County Public Works Department
Right-Of-Way Utilization Permit



NOTES:

1. UNSUITABLE IN-SITU MATERIALS SUCH AS MUCK, DEBRIS AND LARGE ROCKS SHALL BE REMOVED; BEDDING MATERIAL AND BACKFILL CONSISTING OF WASHED AND GRADED LIMEROCK 3/8" - 7/8" SIZING.
2. THE PIPE AND/OR STRUCTURE SHALL BE FULLY SUPPORTED FOR ITS ENTIRE LENGTH WITH APPROPRIATE COMPACTION UNDER THE PIPE HAUNCHES.
3. THE PIPE AND/OR STRUCTURE SHALL BE PLACED IN A DRY TRENCH.
4. BACKFILL SHALL BE FREE OF UNSUITABLE MATERIAL SUCH AS LARGE ROCK, MUCK, AND DEBRIS.
5. COMPACT BACKFILL TO 98% DENSITY UNDER PAVEMENT (AASHTO T-180).
6. COMPACTION AND DENSITY TESTS SHALL BE COMPLETED DURING BACKFILL OPERATIONS, CONTRACTORS NOT FOLLOWING THIS PROCEDURE, FOR WHATEVER REASONS, SHALL BE REQUIRED TO RE-EXCAVATE THE AREA IN QUESTION, DOWN TO THE BEDDING MATERIAL, THEN BACKFILL FOLLOWING THE ABOVE PROCEDURES.
7. CONTRACTOR SHALL SOD ALL DISTURBED RIGHT-OF-WAY.

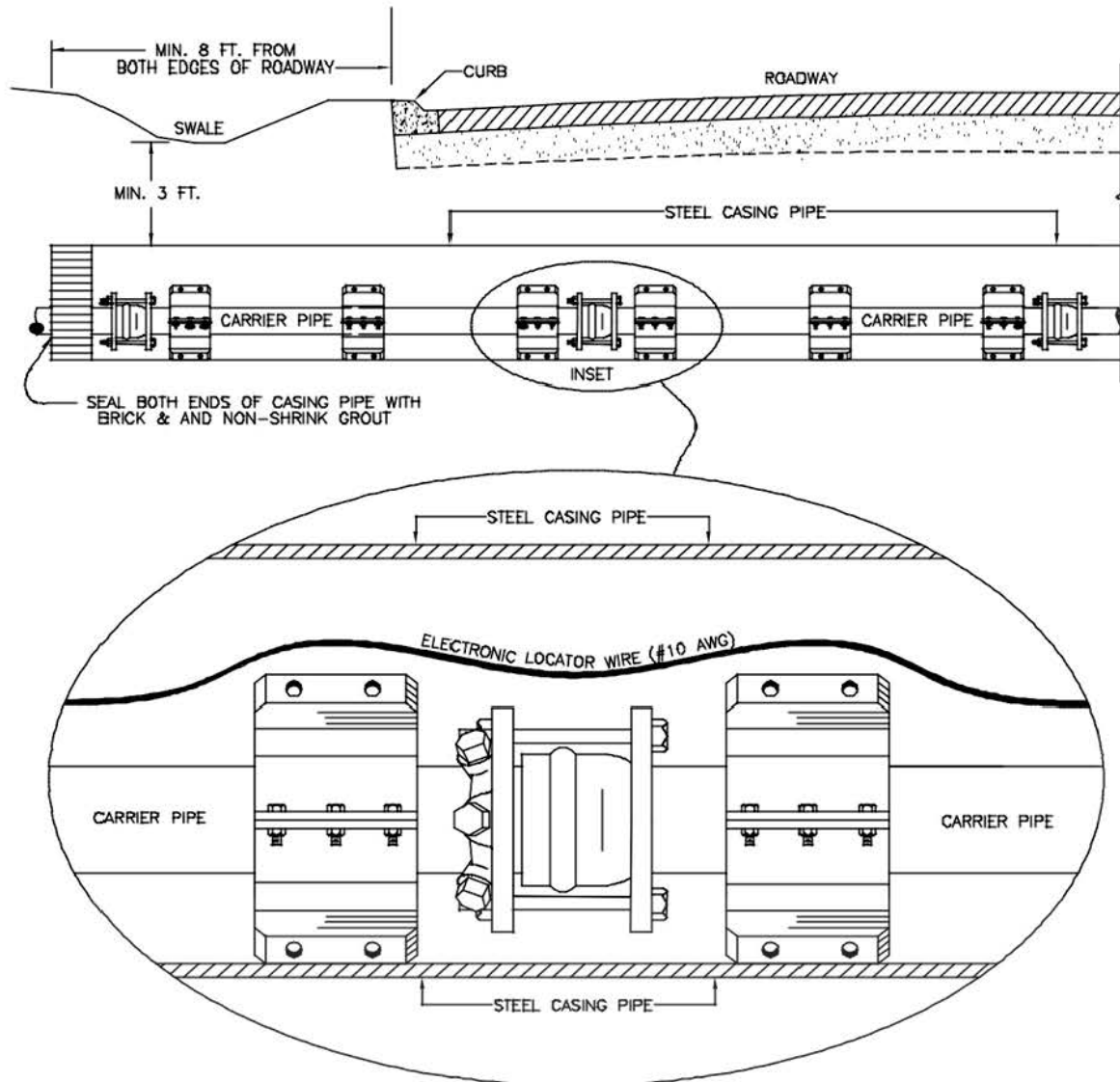
Sumter County Public Works Department
Right-Of-Way Utilization Permit



NOTE: Contractor shall make a smooth vertical cut in the existing pavement at a distance not less than 6" from the existing edge. The existing limerock base shall be exposed and cleaned to remove loose particles. The exposed limerock and asphalt shall then be prime coated not more than three (3) days prior to scheduled paving.

DETAIL FOR MATCHING EXIST. PAVEMENT

Sumter County Public Works Department
Right-Of-Way Utilization Permit



NOTES:

1. STEEL CASING PIPE SHALL BE 2 TIMES (2X) CARRIER PIPE DIAMETER.
2. CASING PIPE TO EXTEND 8' FROM E.O.P. (BOTH SIDES) & ENDS TO BE SEALED W/ BRICKS & NON-SHRINK GROUT.
3. CARRIER PIPE SUPPORT SYSTEM SHALL BE (3) POLYETHYLENE BLOCK ASSEMBLIES PER PIPE LENGTH.
4. RESTRAIN ALL CARRIER PIPE JOINTS AS REQUIRED BY HCUD.
5. STEEL CASING PIPE EXTERIOR TO BE COATED (BITUMINOUS COATING 16 MILS.).
6. FASTEN LOCATOR WIRE ON CARRIER PIPE THROUGH ENTIRE LENGTH OF JACK & BORE CASING PIPE.
7. THIS DETAIL APPLIES TO POTABLE WATER, RECLAIMED WATER AND SEWER FORCE MAIN PIPE LINES.
8. MINIMUM DEPTH OF CASING LESS THAN 10" IN DIAMETER MAY BE REDUCED TO 2' FROM TOP OF PIPE TO BELOW ROAD BASE.